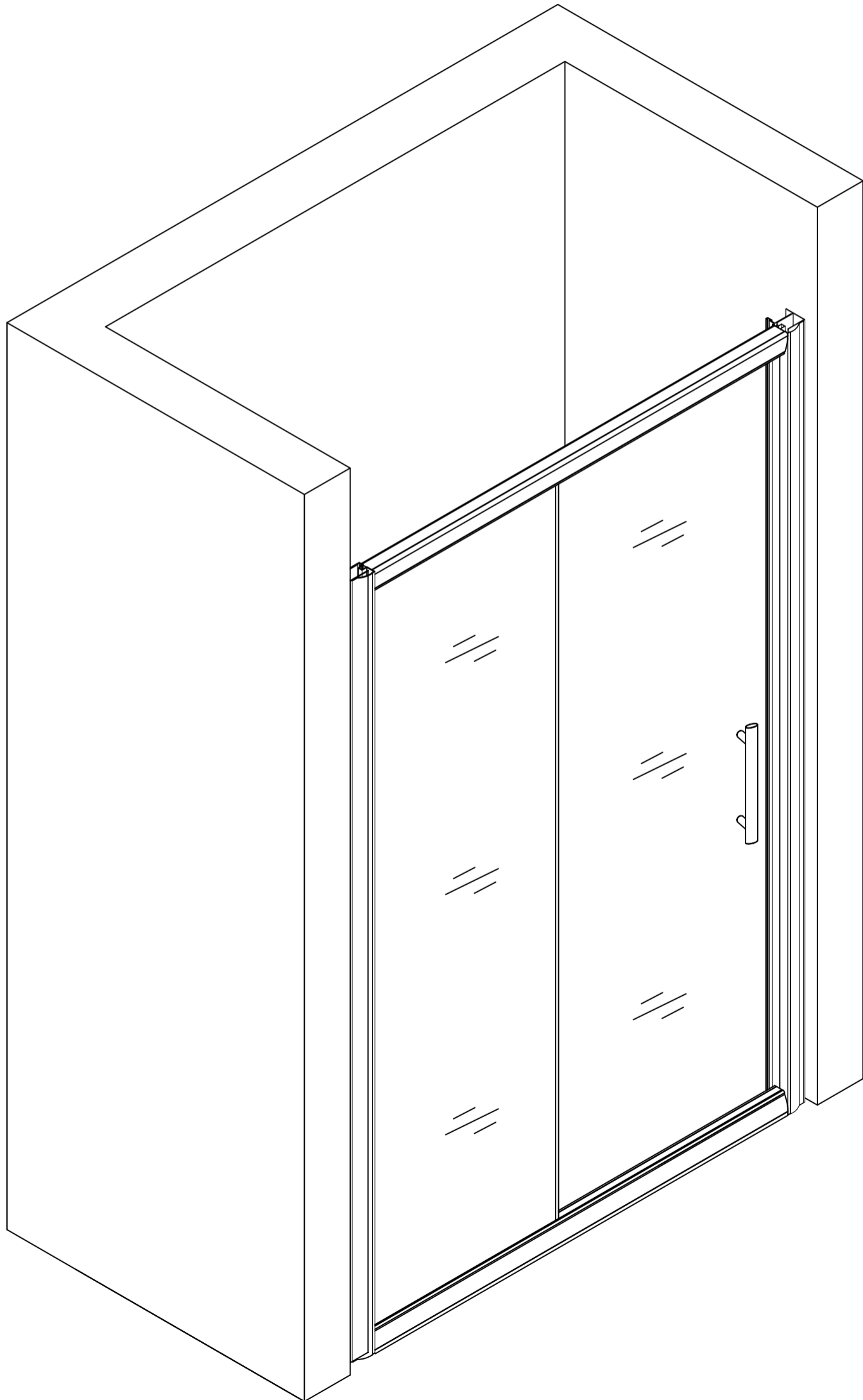
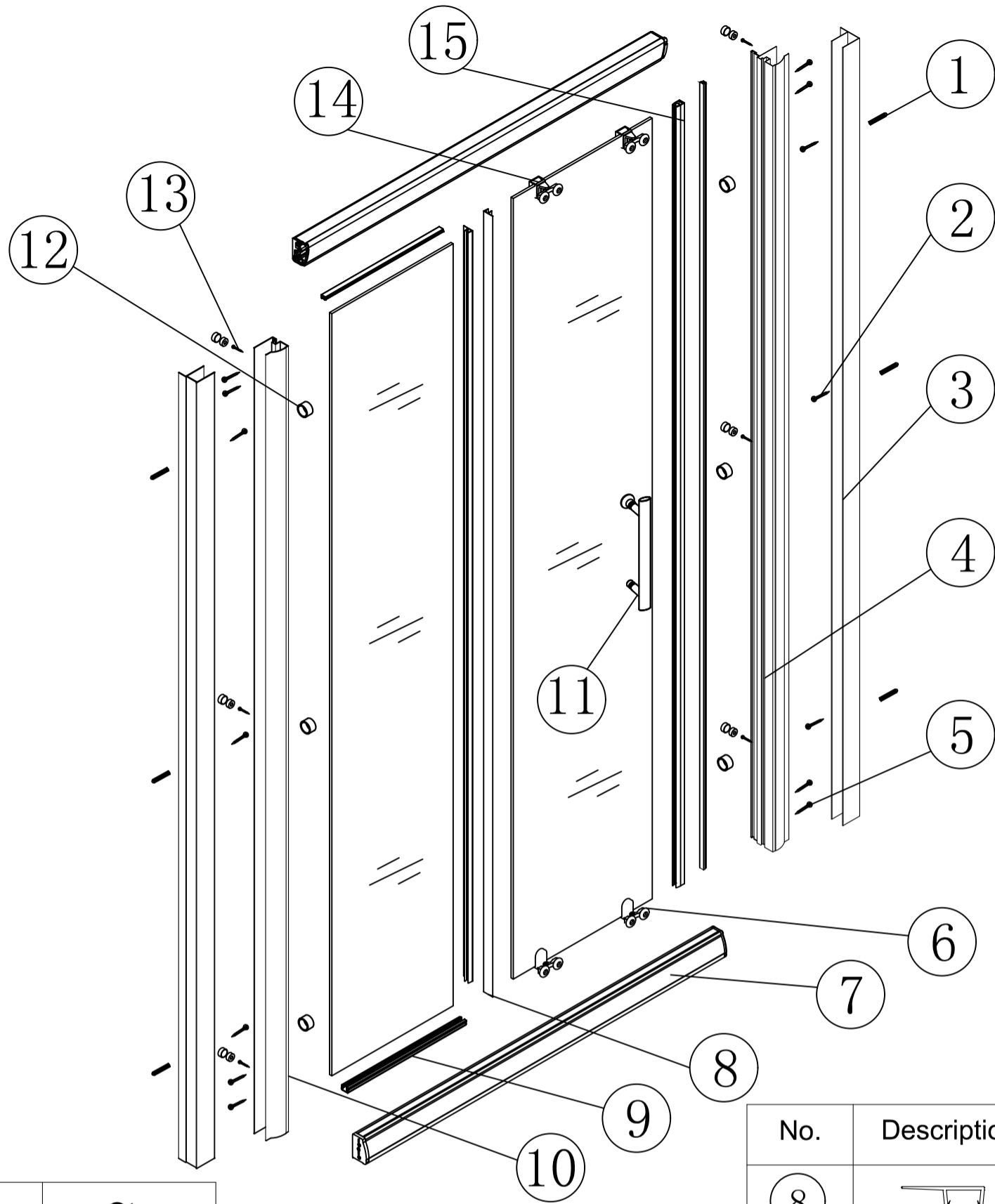


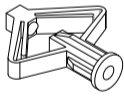





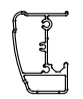
SDM Series 3 Side

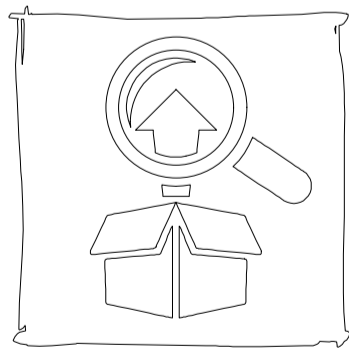
Installation instructions

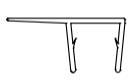
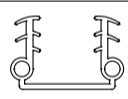




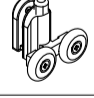



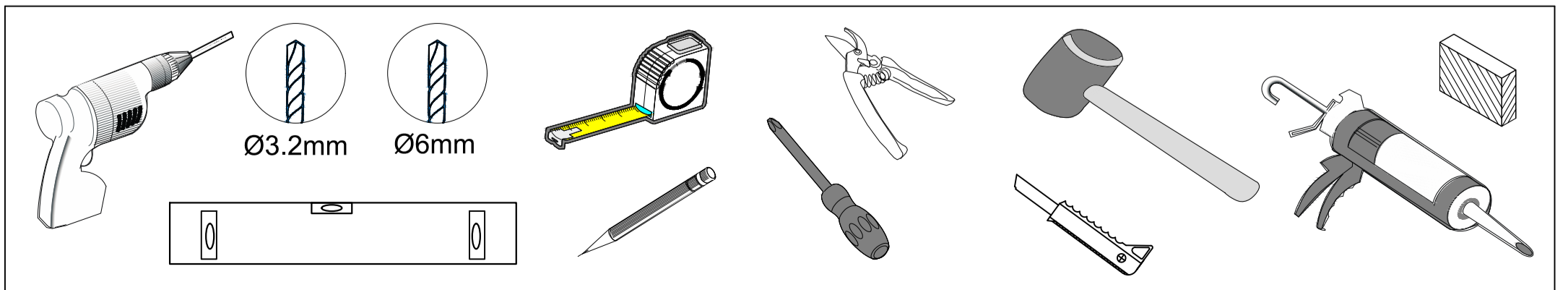
picture 1



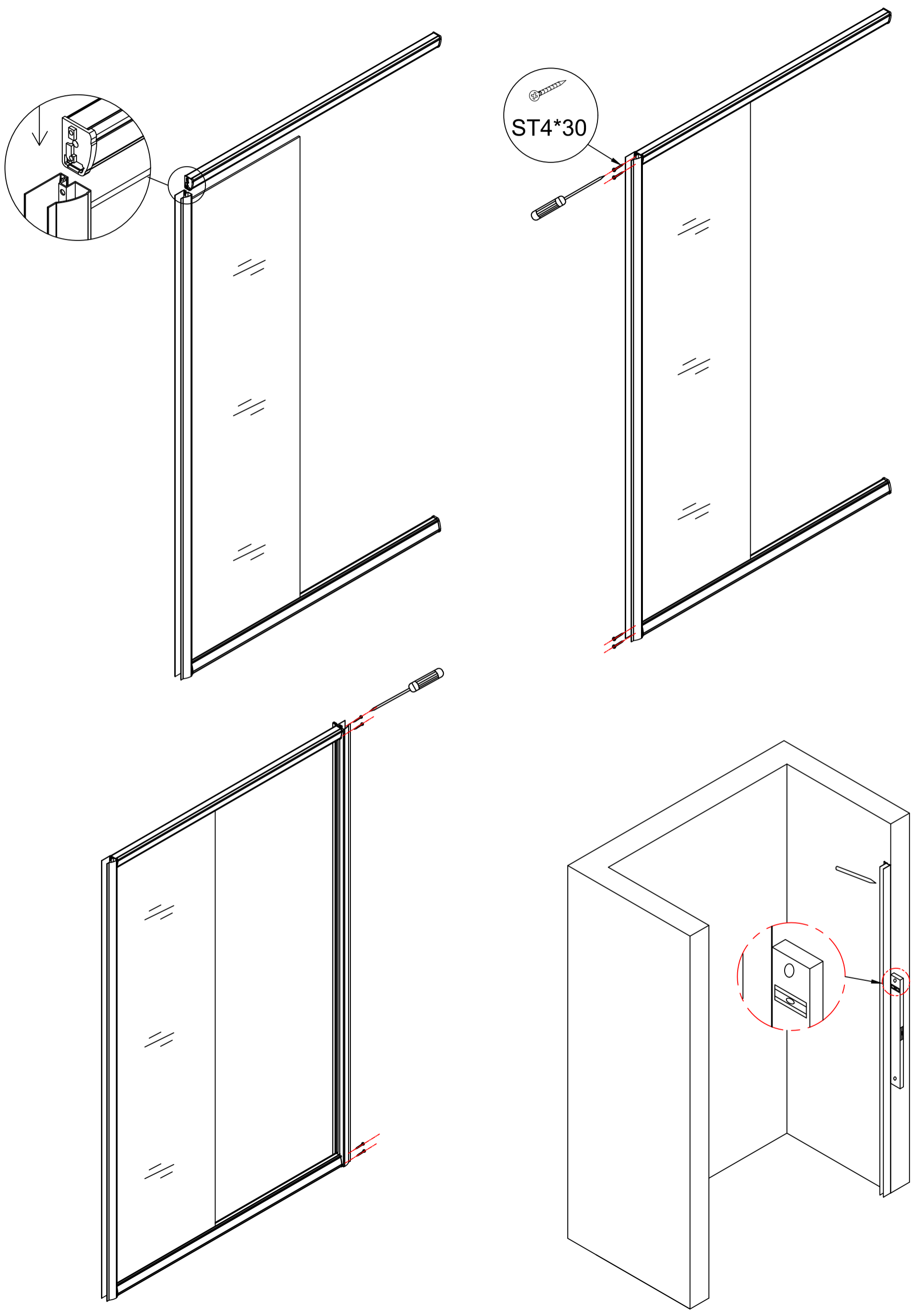
No.	Description	Qty
①		6 PCS
②	ST4*50 	6 PCS
③		2 PCS
④		1 PC
⑤	ST4*30 	8 PCS
⑥		2 PCS
⑦		2 PCS



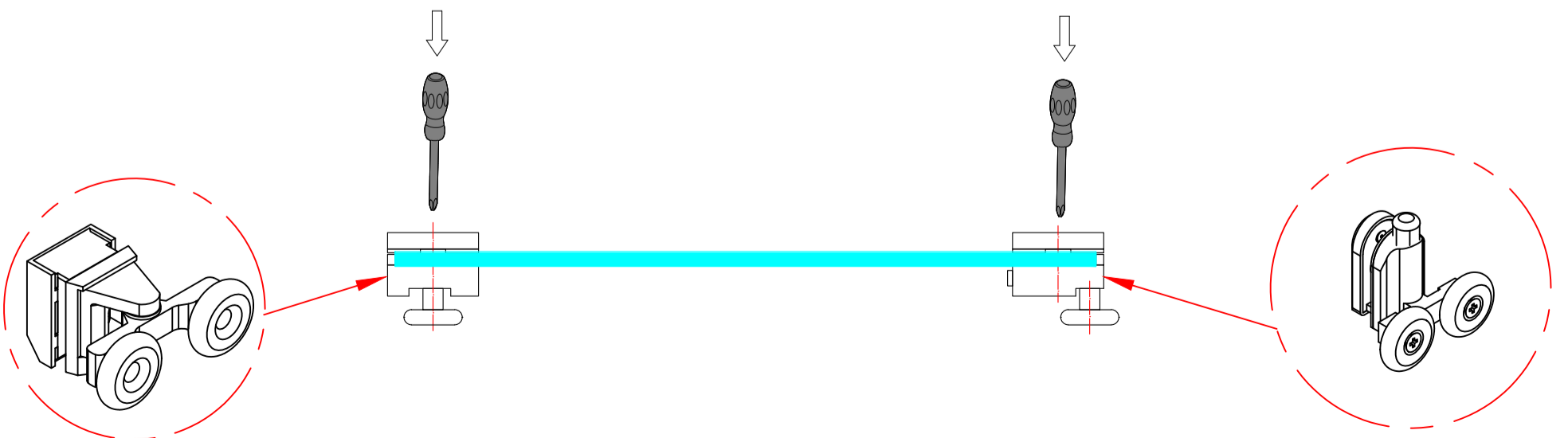
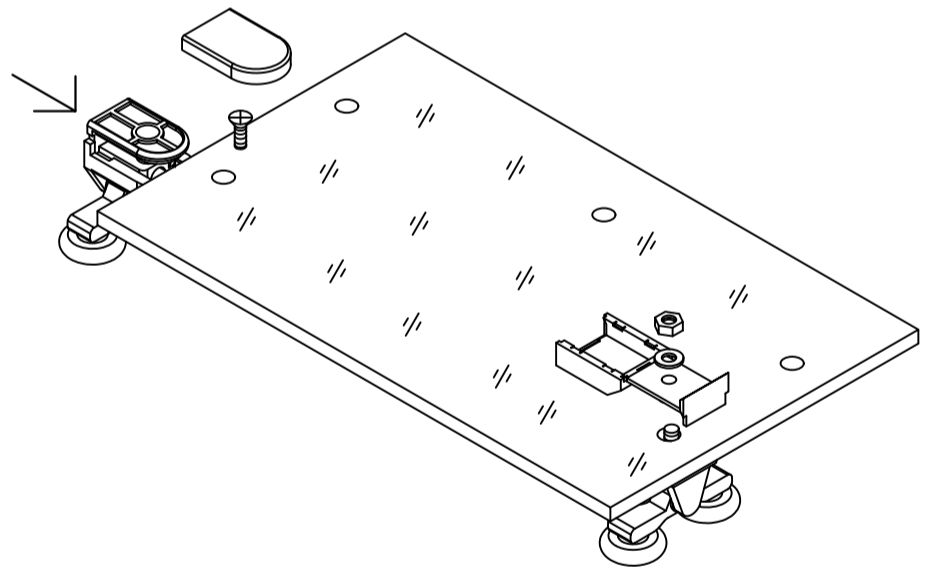
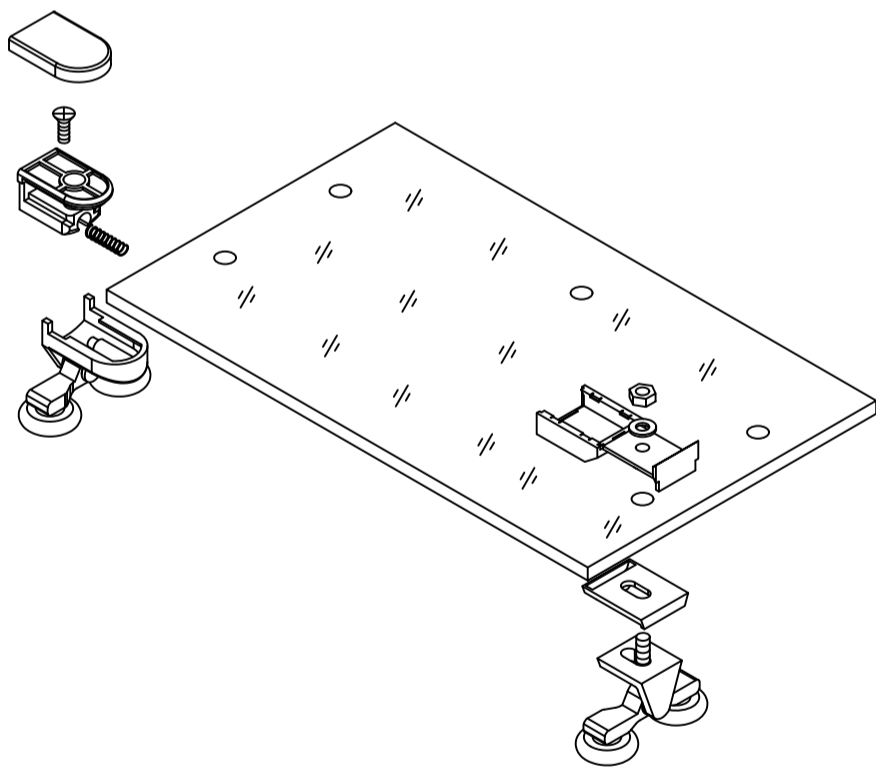
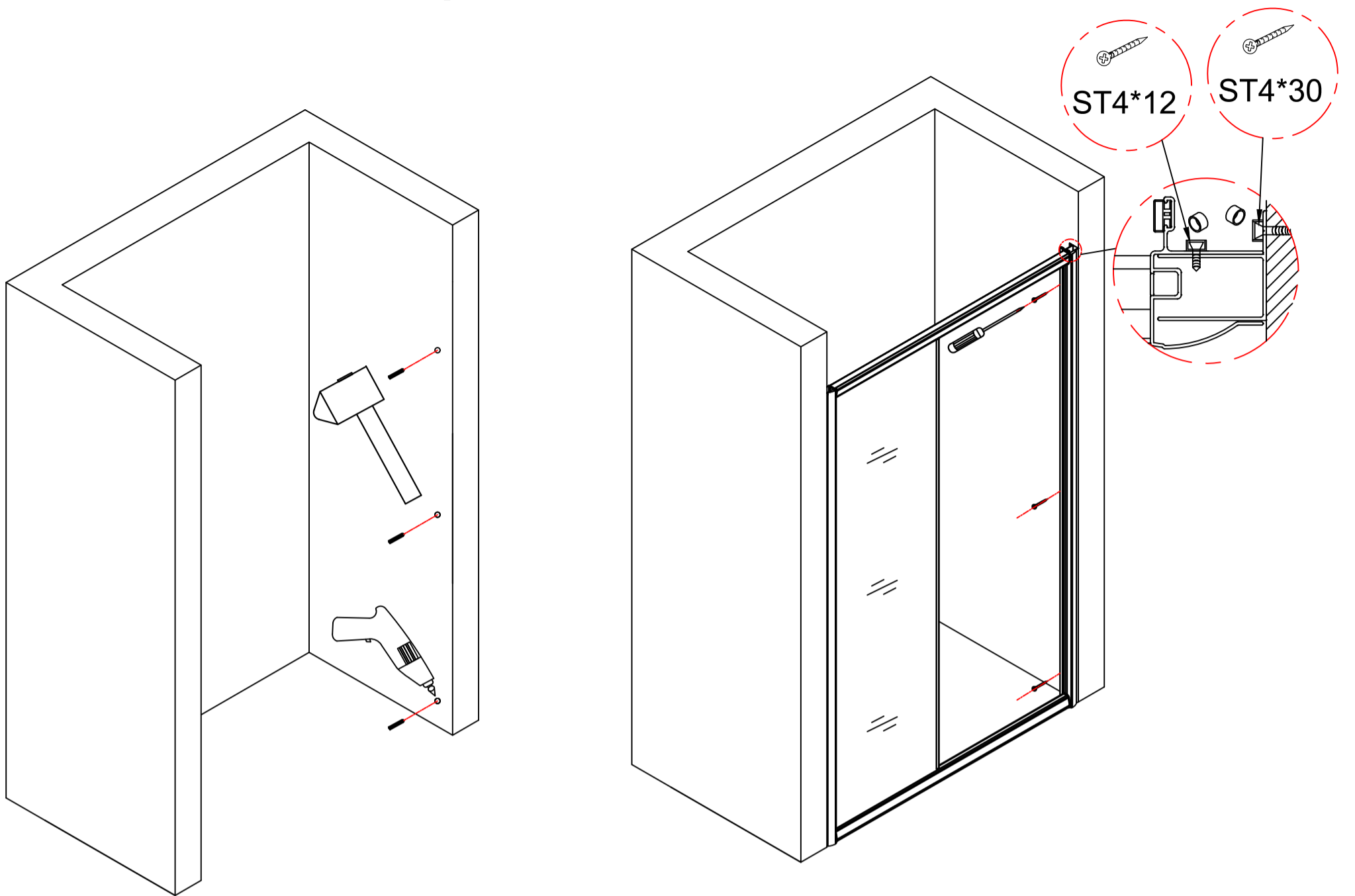
No.	Description	Qty
⑧		2 PCS
⑨		2 PCS
⑩		1 PC
⑪		1 PC
⑫		6 PCS
⑬	ST4*12 	6 PCS
⑭		2 PCS
⑮		1 PC



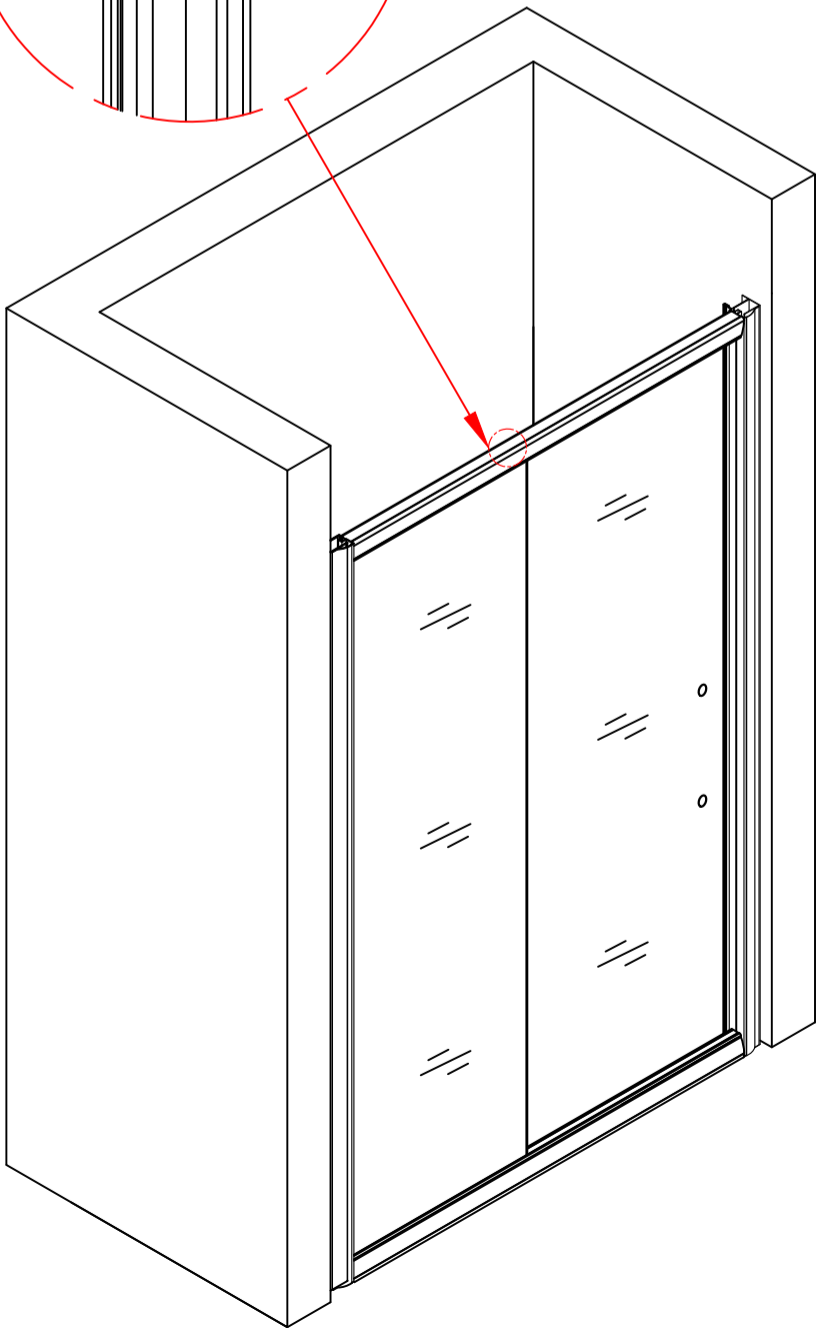
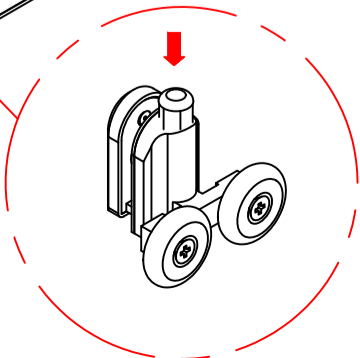
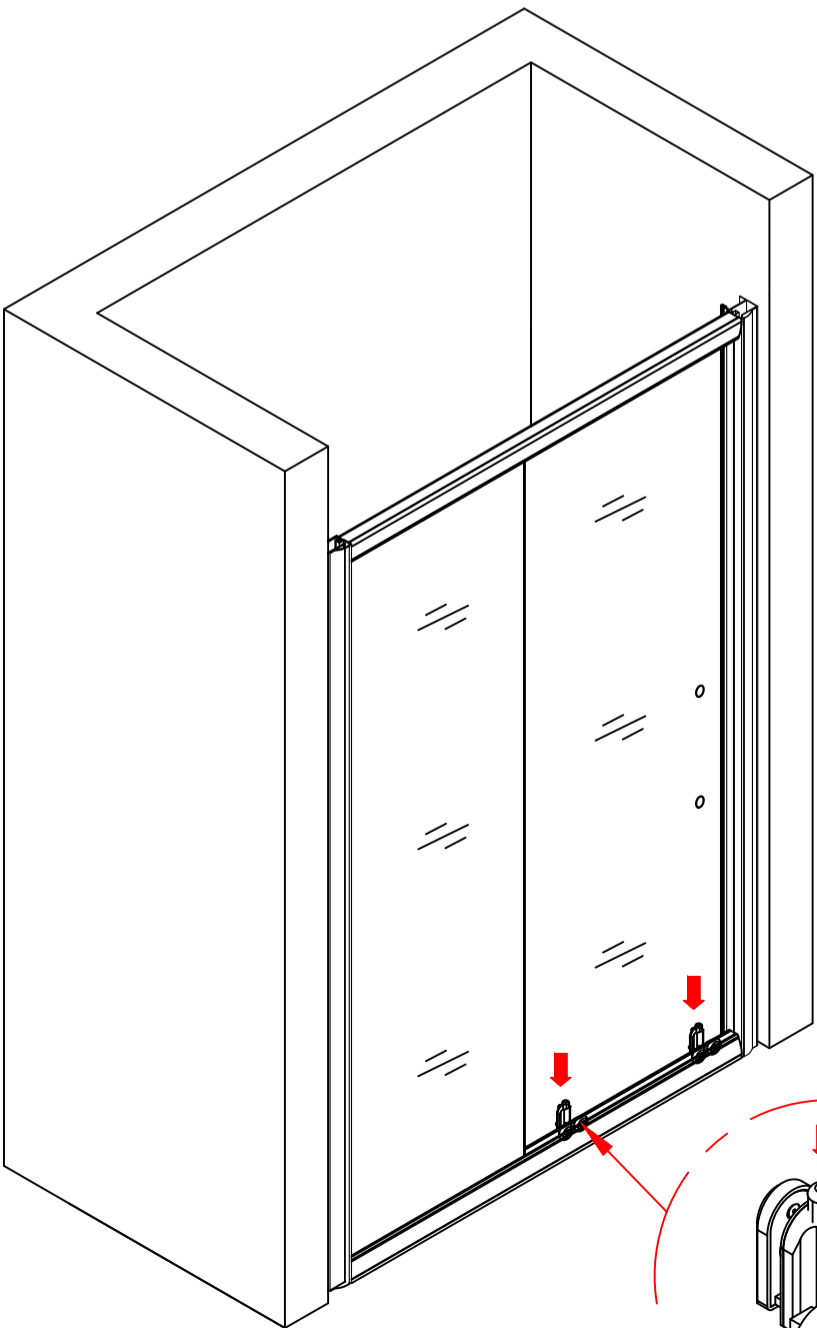
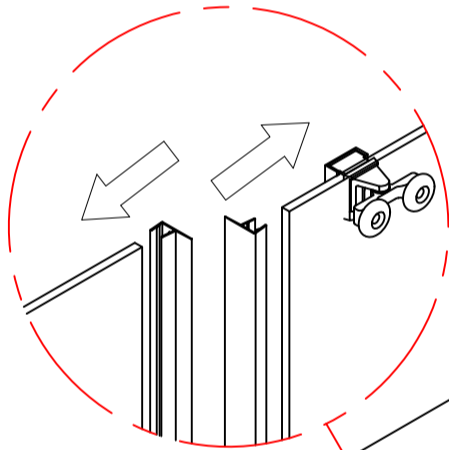
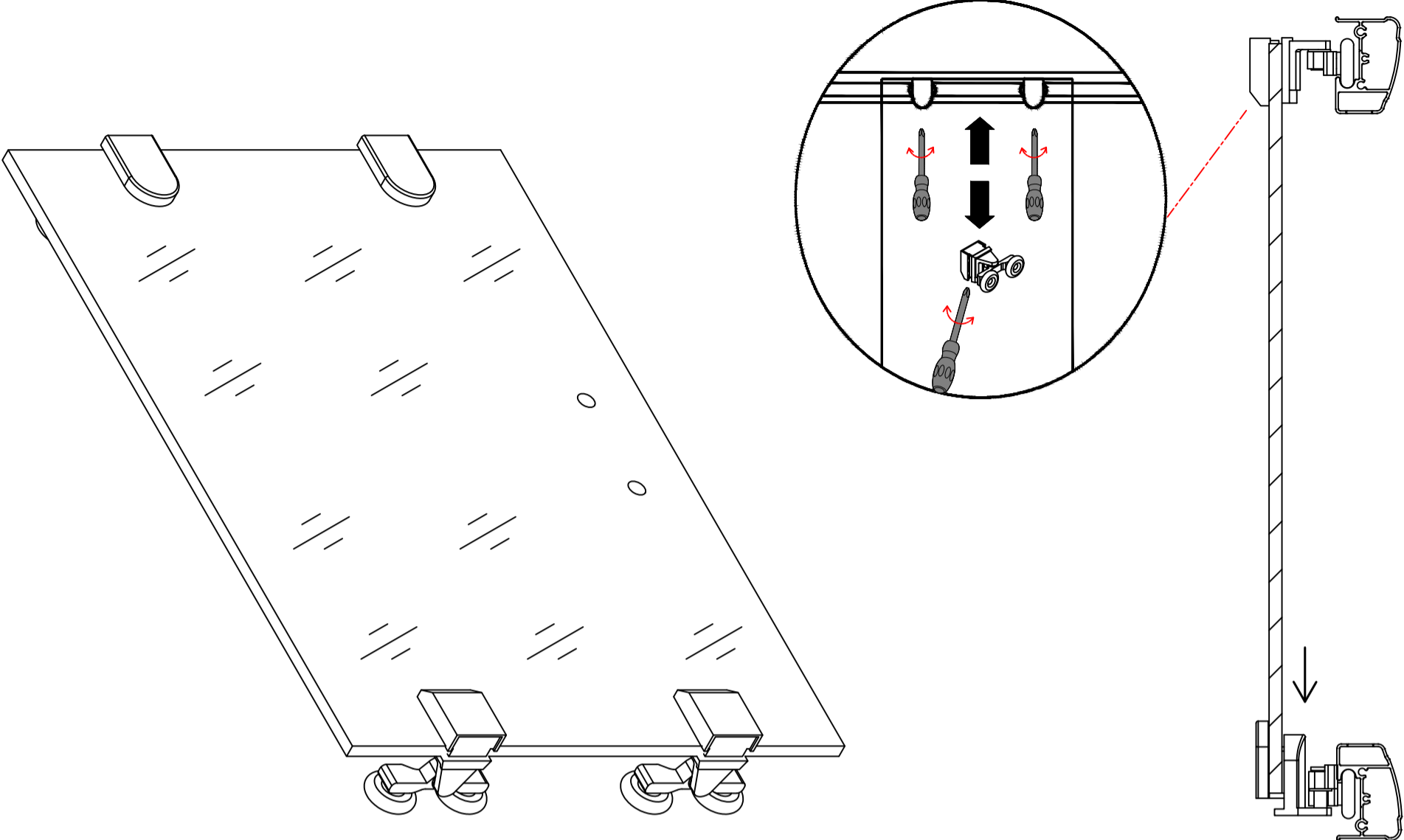
picture 2



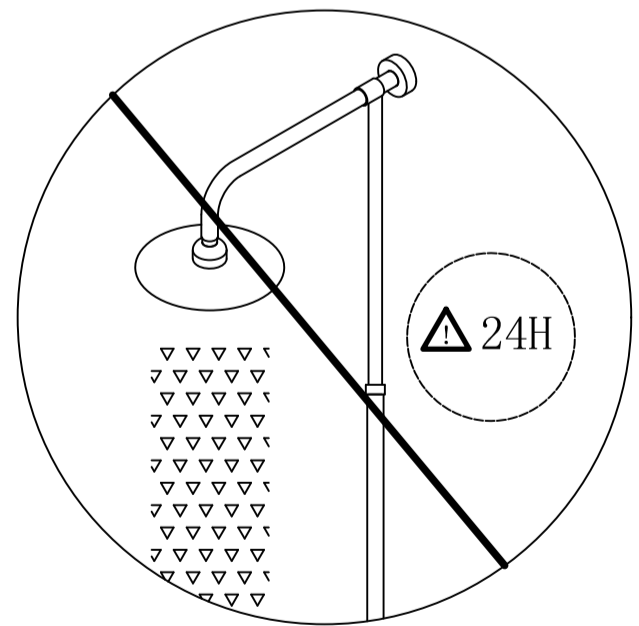
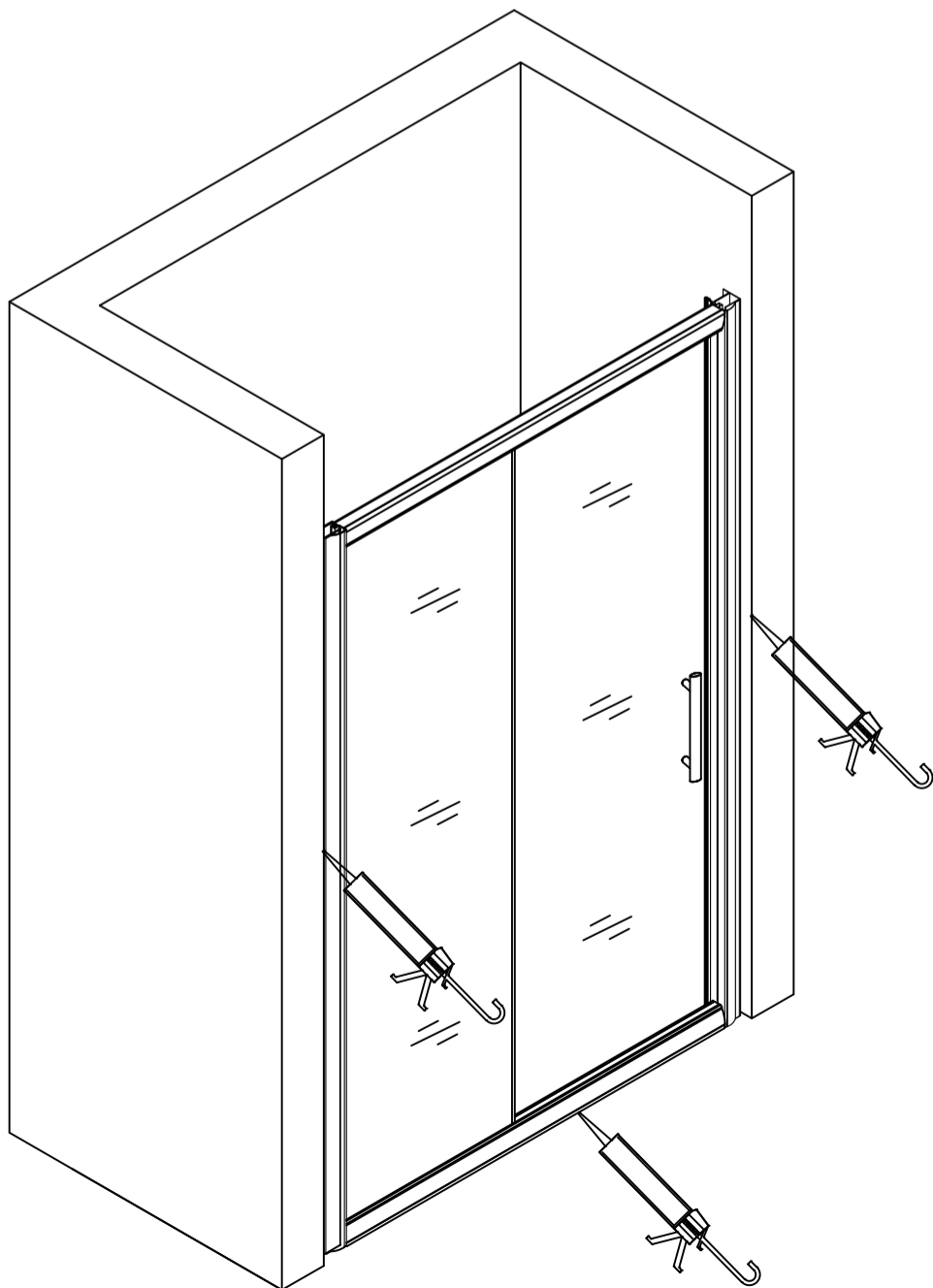
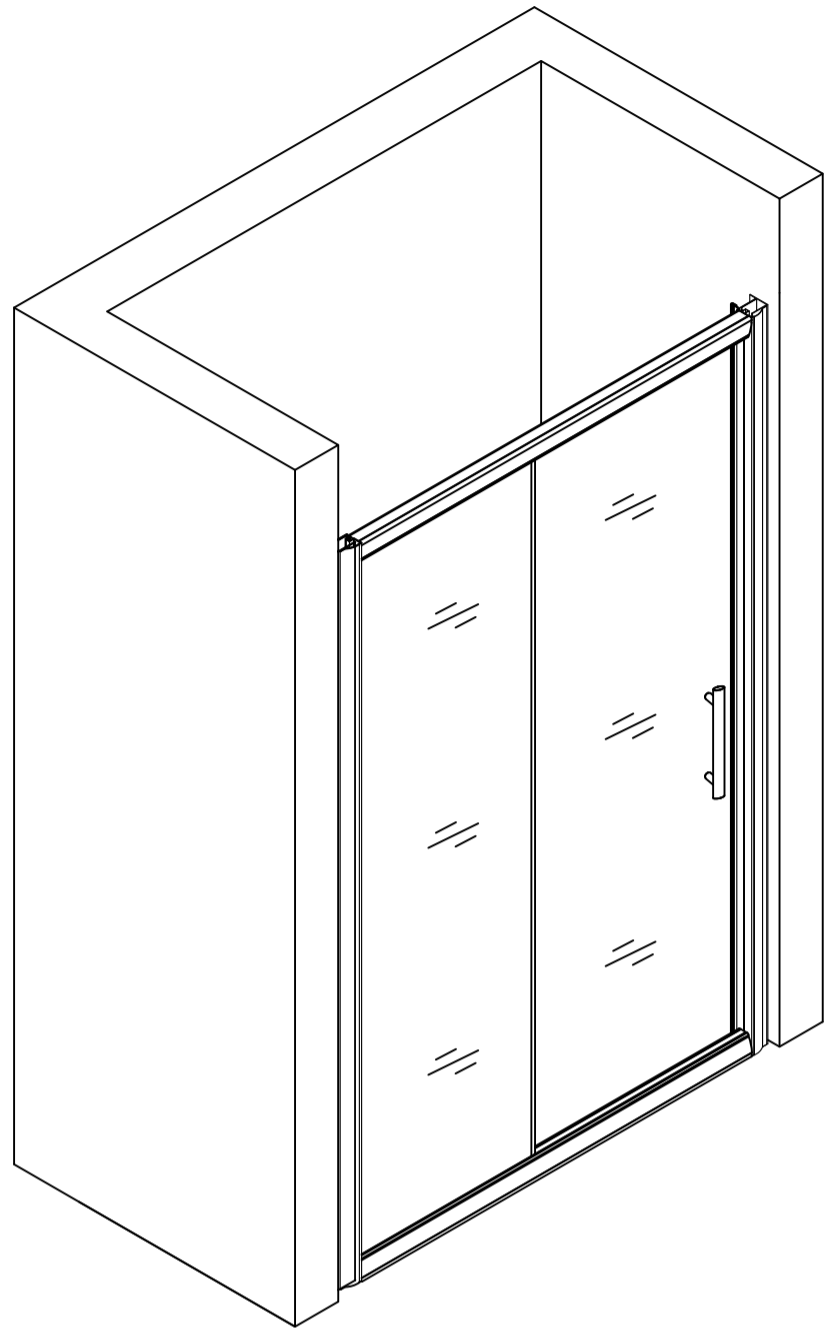
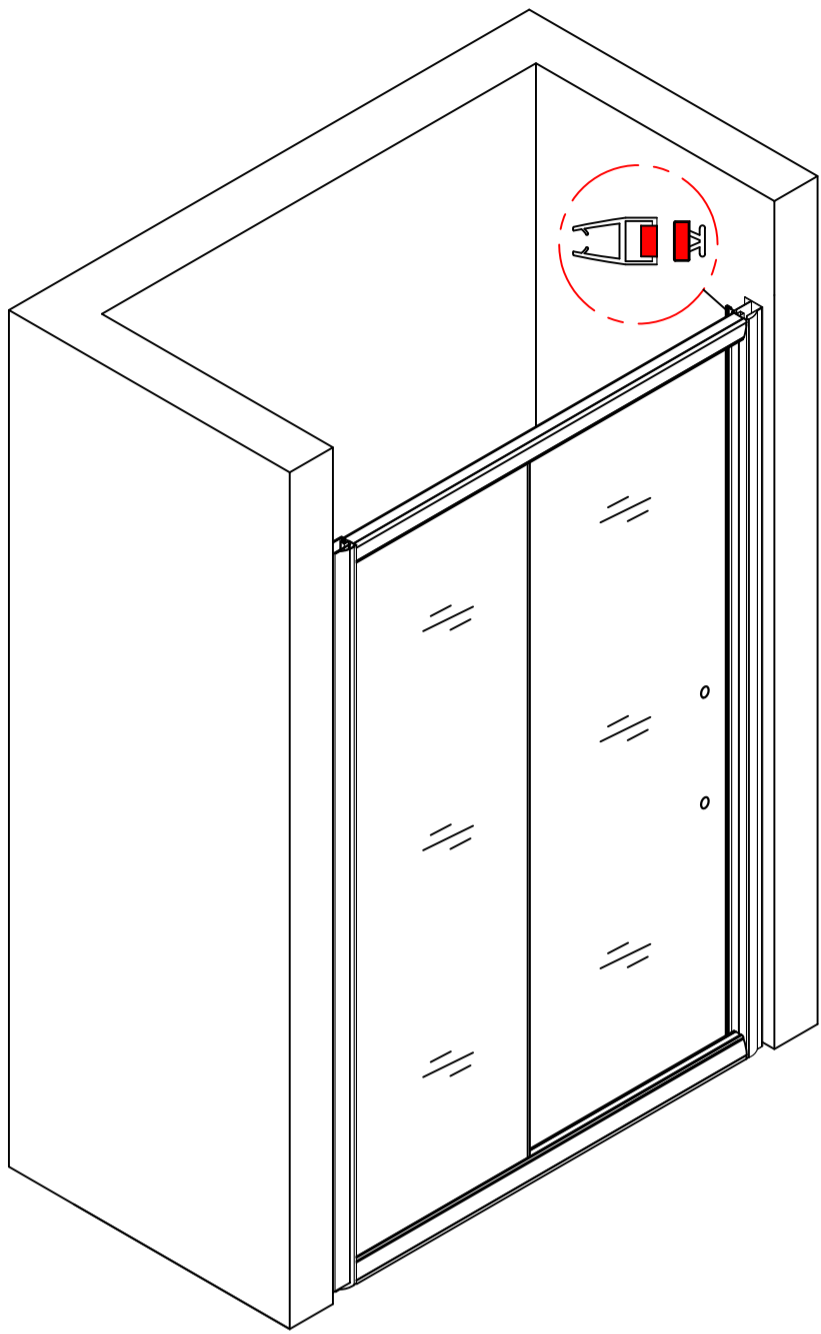
picture 3



picture 4



picture 5



Can't be used within 24H