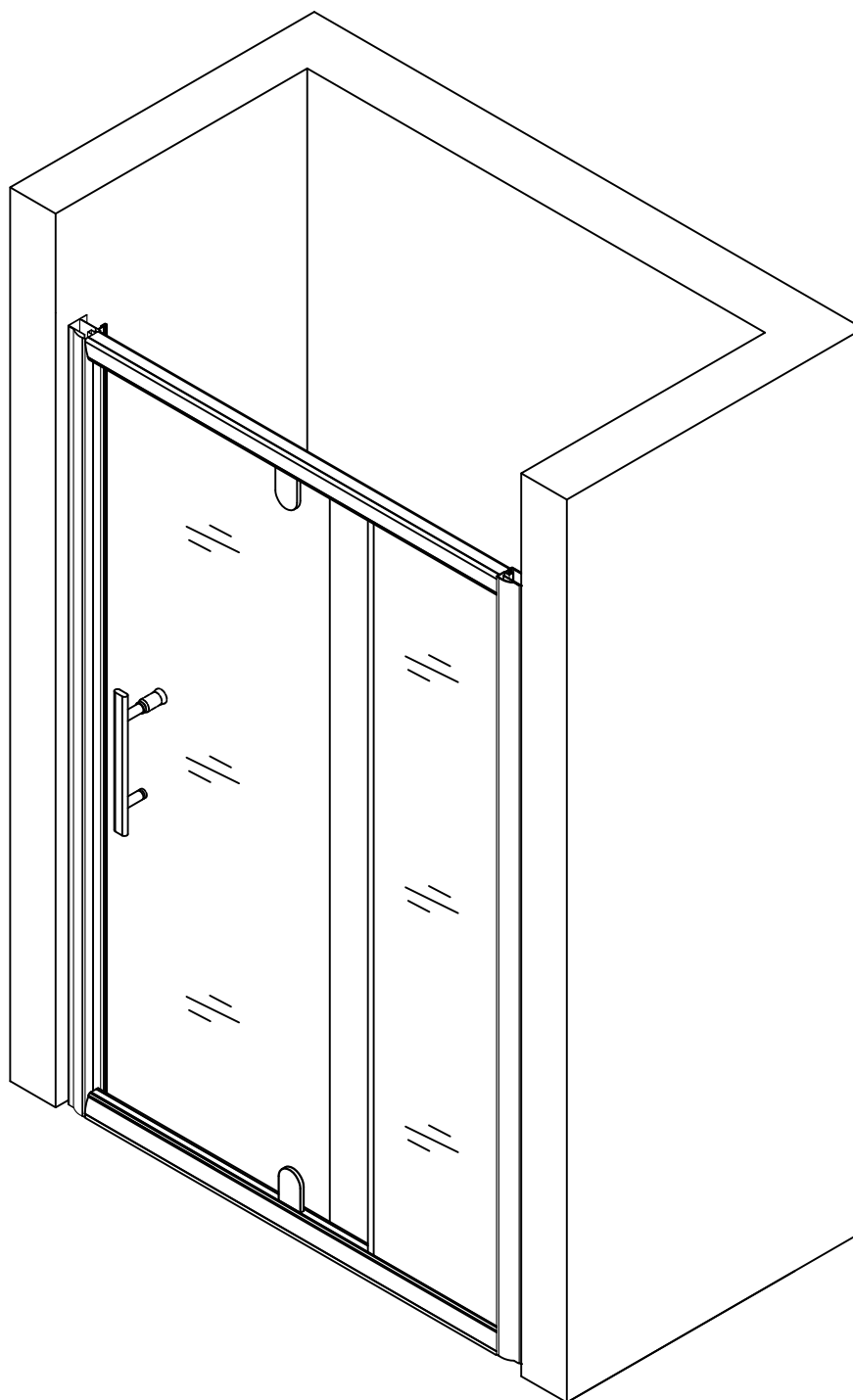
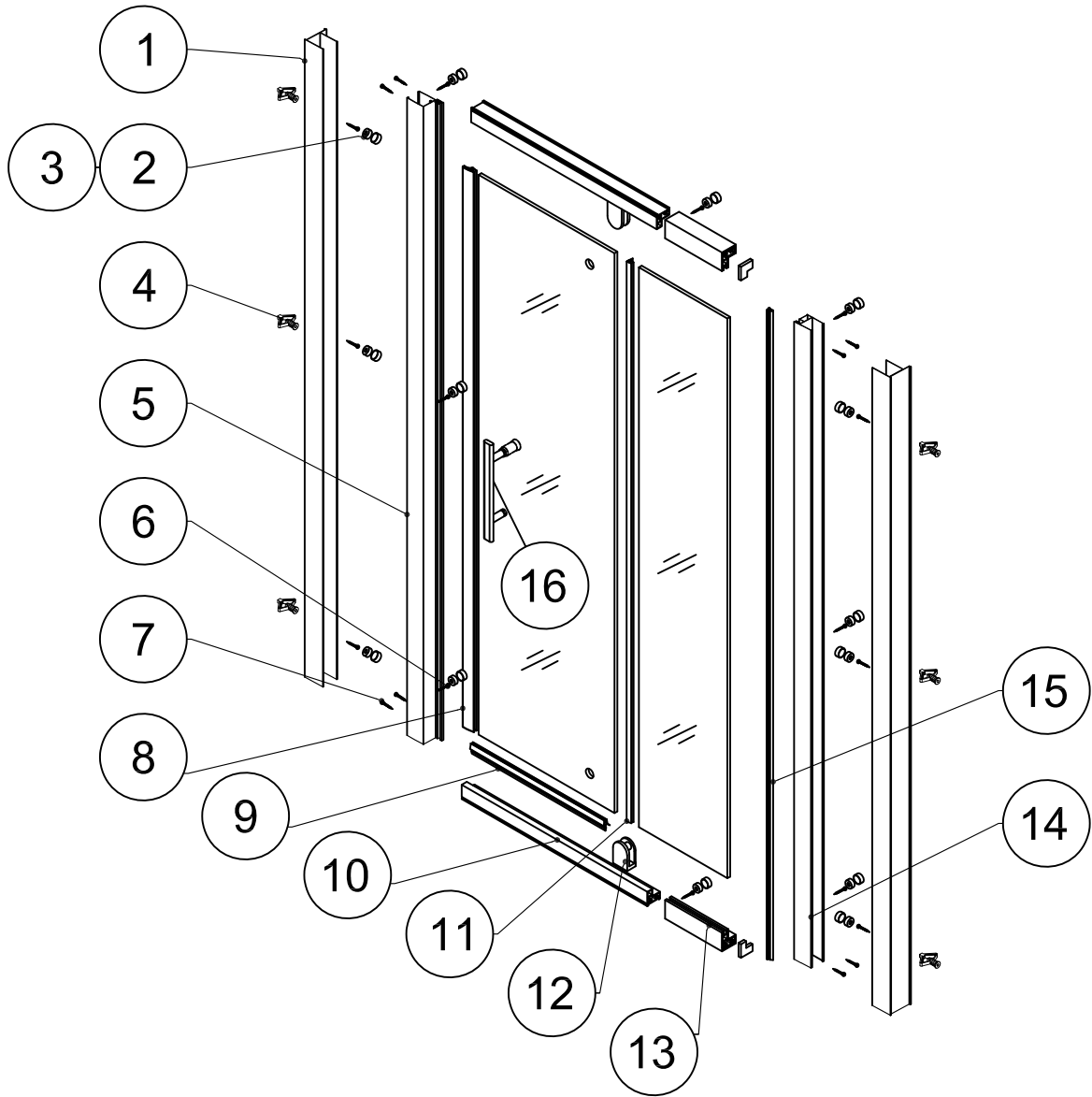


PGM Series 3 Side

Product Installation Manual



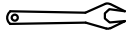
Picture 1



Installation Instruction



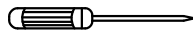
electrical drill



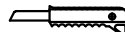
Spanner



Marker Pen



Cross Screwdriver



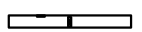
Knife



Hammer



Wood

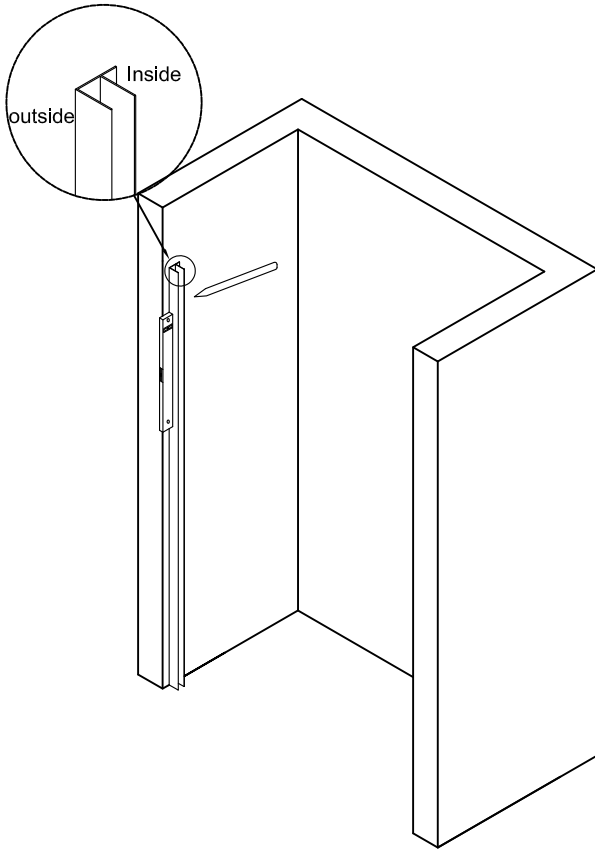


Spirit Level

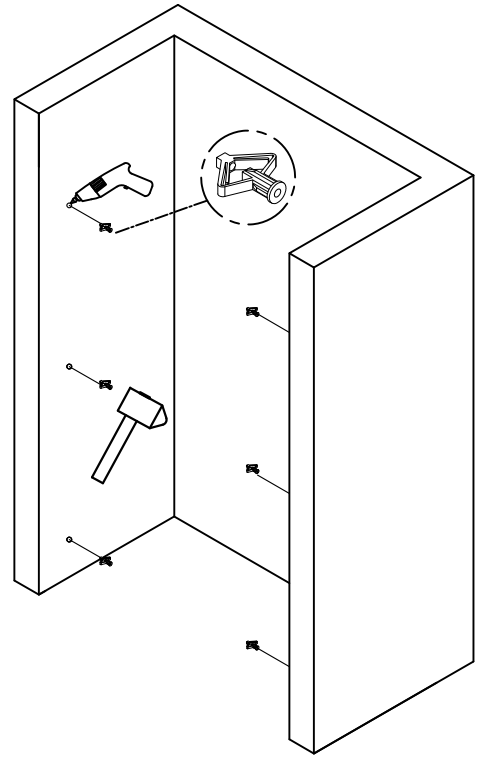
Product Breakdown List

| | | | | | | | | | |
|---|---------------------|---|---------------------|---|---------------------|---|-----------|---|-----------|
| ① | 2 PCS | ② | 14 PCS | ③ | ST4*50 6 PCS | ④ | 6 PCS | ⑤ | 1 PC |
| ⑥ | ST4*12 8 PCS | ⑦ | ST4*40 8 PCS | ⑧ | 1 PC | ⑨ | 1 PC | ⑩ | 4 PCS |
| ⑪ | 1 PC | ⑫ | 2 PCS | ⑬ | 2 PCS | ⑭ | 1 PC | ⑮ | 1 PC |
| ⑯ | 1 PC | | | | | | | | |

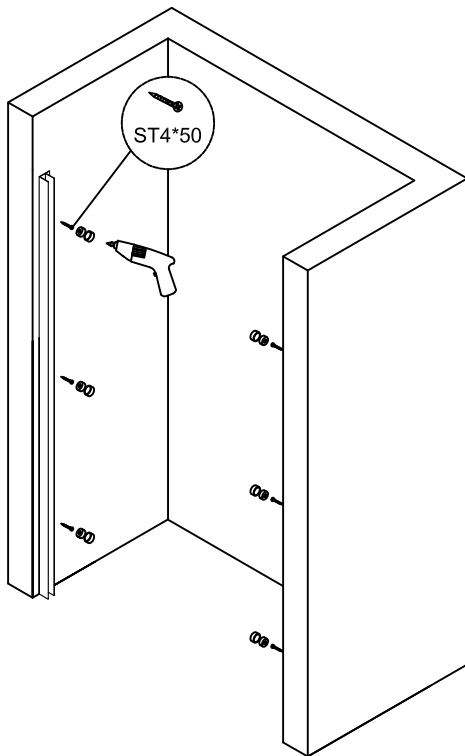
Picture 2



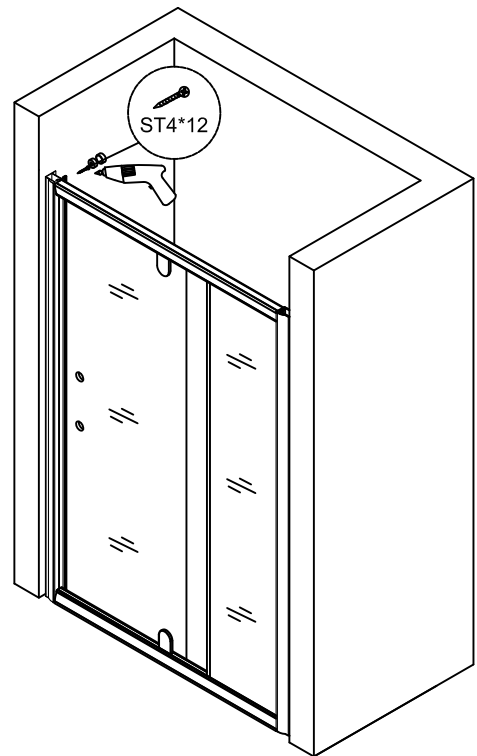
Determine the door position
Use spirit level mark 2-side frame
location and punching



Put expansion screw

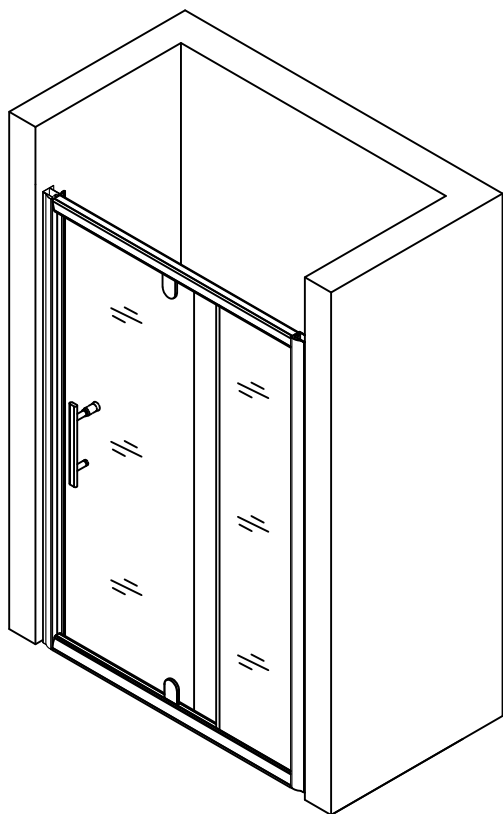


Fix the frames on both sides with
ST4 * 50 screws

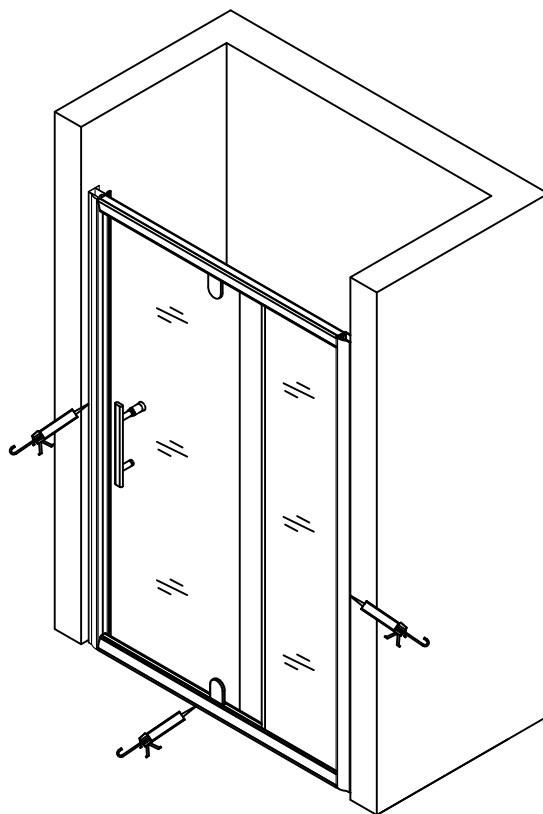


Fix the connection between
the frame and the frame with
ST4 * 12 screws

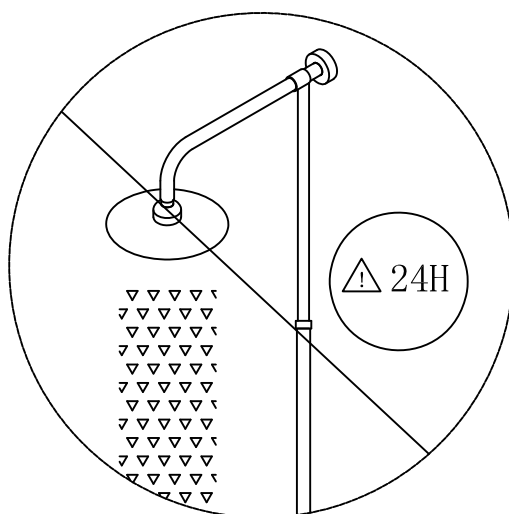
Picture 3



Install the handle



Use Silicone on bottom , and
2-side frame



It cannot be used within 24 hours